

BJ

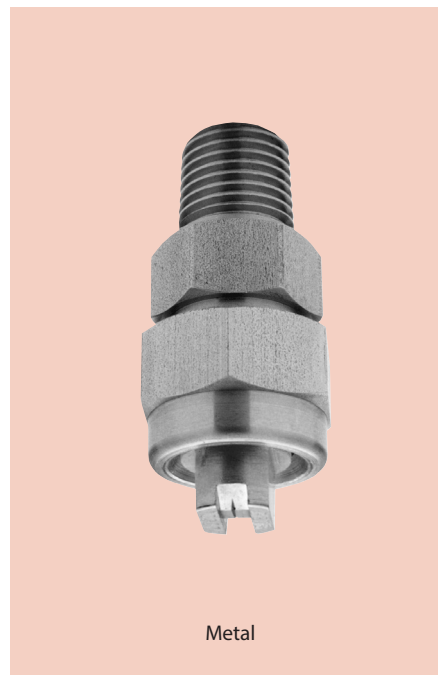
Low Flow

DESIGN FEATURES

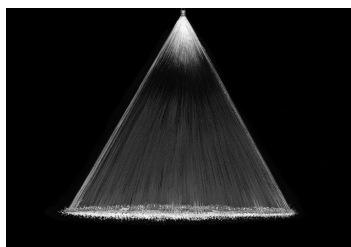
- Three-piece construction
- Interchangeable spray tips
- Integral strainer available (refer to page 119 for more information)
- Male and female connections

SPRAY CHARACTERISTICS

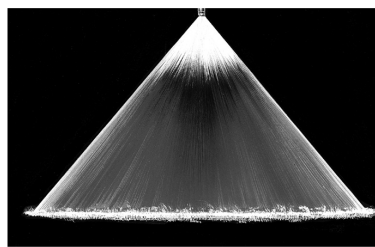
- Relatively coarse atomization
 - Uniform distribution with tapered edges for use in overlapping sprays
- Spray pattern: Flat Fan
 Spray angles: 0° to 110°
 Flow rate: 0.011 to 101 l/min



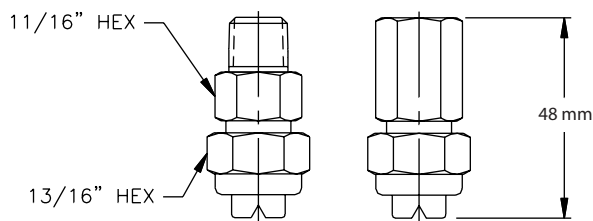
Metal



Fan 50°



Fan 80°

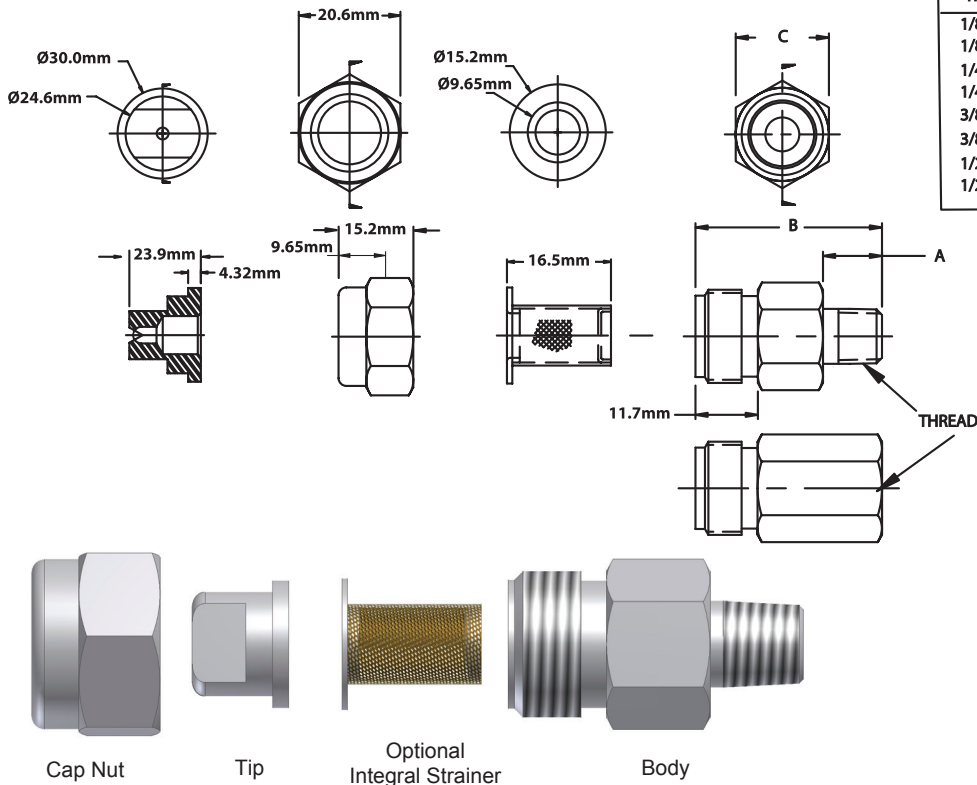


BJ Dimensions

Fan, 0° to 110° Spray Angles, 1/8", 1/4" and 3/8" Pipe Size, Male and Female

Pipe Size	Nozzle Number	Flow Rate @ 3 bar	Available Spray Angle									Optional Strainer Mesh Size	Wt. (g)	
			0°	15°	25°	40°	50°	65°	73°	80°	95°			110°
1/8"	BJ 0009	0.04	0°										200	28
	BJ 0012	0.05	0°											
	BJ 0017	0.07		15°	25°	40°	50°	65°						
	BJ 0019	0.07	0°											
	BJ 0021	0.08	0°											
	BJ 0023	0.09						73°						
OR	BJ 0025	0.1		15°	25°	40°	50°	65°						
	BJ 0033	0.13		15°	25°	40°	50°	65°						
	BJ 0039	0.15							73°					
1/4"	BJ 005	0.2	0°	15°	25°	40°	50°	65°		80°		100	28	
	BJ 0067	0.26	0°	15°	25°	40°	50°	65°						
	BJ 0077	0.3						73°						
	BJ 01	0.39	0°	15°	25°	40°	50°	65°	73°	80°	95°			110°
OR	BJ 0116	0.46							73°					
	BJ 015	0.59	0°	15°	25°	40°	50°	65°	73°	80°	95°	110°		
3/8"	BJ 0154	0.61	0°	15°	25°	40°	50°	65°	73°	80°	95°	110°	50	28
	BJ 02	0.79	0°	15°	25°	40°	50°	65°	73°	80°	95°	110°		
	BJ 0231	0.91							73°					
	BJ 03	1.81	0°	15°	25°	40°	50°	65°	73°	80°	95°	110°		
	BJ 0308	1.22							73°					
	BJ 0385	1.52							73°					
OR	BJ 04	1.58	0°	15°	25°	40°	50°	65°	73°	80°	95°	110°		
	BJ 0462	1.82							73°					
	BJ 05	1.97	0°	15°	25°	40°	50°	65°	73°	80°	95°	110°		
	BJ 06	2.37	0°	15°	25°	40°	50°	65°	73°	80°	95°	110°		
	BJ 0616	2.43							73°					
	BJ 077	3.04							73°					
1/2"	BJ 08	3.16	0°	15°	25°	40°	50°	65°	73°	80°	95°	110°	50	28
	BJ 0924	3.65							73°					
	BJ 10	3.95	0°	15°	25°	40°	50°	65°	73°	80°	95°	110°		
	BJ 15	5.92	0°	15°	25°	40°	50°	65°	73°	80°	95°	110°		
3/8"	BJ 20	7.89	0°	15°	25°	40°	50°	65°	73°	80°	95°	110°	50	28
	BJ 30	11.8	0°	15°	25°	40°	50°	65°	73°	80°	95°	110°		
	BJ 40	15.8	0°	15°	25°	40°	50°	65°	73°	80°	95°	110°		
OR	BJ 50	19.7							73°					
	BJ 60	23.7							73°					
	BJ 70	27.6							73°					
	1/2"								73°					

TO ORDER: specify pipe size, connection type, nozzle number, spray angle, and material.



BJ Flow Rates

Fan, 0°, 15°, 25°, 40°, 50°, 65°, 73°, 80°, 95°, 110° Spray Angles, 1/8", 1/4" and 3/8" Pipe Size, Male and Female
LITERS PER MINUTE @ BAR

Pipe Size	Nozzle Number	Equiv. Orifice Dia. (mm)	K Factor	0.3 bar	0.5 bar	0.7 bar	2 bar	4 bar	5 bar	10 bar	20 bar	30 bar	40 bar	
	BJ 0009	0.20	0.021	0.011	0.015	0.017	0.029	0.041	0.046	0.065	0.092	0.11	0.13	
	BJ 0012	0.25	0.027	0.015	0.019	0.023	0.039	0.055	0.061	0.086	0.12	0.15	0.17	
	BJ 0017	0.28	0.039	0.021	0.027	0.032	0.055	0.077	0.087	0.12	0.17	0.21	0.25	
1/8"	BJ 0019	0.30	0.043	0.024	0.031	0.036	0.061	0.087	0.097	0.14	0.19	0.24	0.27	
	BJ 0021	0.33	0.048	0.026	0.034	0.04	0.068	0.096	0.11	0.15	0.21	0.26	0.30	
	BJ 0023	0.33	0.052	0.029	0.037	0.044	0.074	0.10	0.12	0.17	0.23	0.29	0.33	
	BJ 0025	0.33	0.057	0.031	0.04	0.048	0.081	0.11	0.13	0.18	0.25	0.31	0.36	
	BJ 0033	0.38	0.075	0.041	0.053	0.063	0.11	0.15	0.17	0.24	0.34	0.41	0.48	
	BJ 0039	0.41	0.089	0.049	0.063	0.074	0.13	0.18	0.20	0.28	0.40	0.49	0.56	
	OR	BJ 005	0.50	0.114	0.062	0.081	0.095	0.16	0.23	0.25	0.36	0.51	0.62	0.72
1/4"	BJ 0067	0.58	0.153	0.084	0.11	0.13	0.22	0.31	0.34	0.48	0.68	0.84	0.97	
	BJ 0077	0.58	0.175	0.096	0.12	0.15	0.25	0.35	0.39	0.55	0.78	0.96	1.11	
	BJ 01	0.71	0.228	0.12	0.16	0.19	0.32	0.46	0.51	0.72	1.02	1.25	1.44	
	BJ 0116	0.91	0.264	0.14	0.19	0.22	0.37	0.53	0.59	0.84	1.18	1.45	1.67	
	BJ 015	0.97	0.342	0.19	0.24	0.29	0.48	0.68	0.76	1.08	1.53	1.87	2.16	
	BJ 0154	0.84	0.351	0.19	0.25	0.29	0.50	0.70	0.78	1.11	1.57	1.92	2.22	
	BJ 02	0.99	0.456	0.25	0.32	0.38	0.64	0.91	1.02	1.44	2.04	2.50	2.88	
3/8"	BJ 0231	1.02	0.526	0.29	0.37	0.44	0.74	1.05	1.18	1.66	2.35	2.88	3.33	
	BJ 03	1.19	0.684	0.37	0.48	0.57	0.97	1.37	1.53	2.16	3.06	3.74	4.32	
	OR	BJ 0308	1.19	0.702	0.38	0.50	0.59	0.99	1.40	1.57	2.22	3.14	3.84	4.44
	BJ 0385	1.30	0.877	0.48	0.62	0.73	1.24	1.75	1.96	2.77	3.92	4.81	5.55	
	BJ 04	1.40	0.912	0.50	0.64	0.76	1.29	1.82	2.04	2.88	4.08	4.99	5.77	
	BJ 0462	1.42	1.053	0.58	0.74	0.88	1.49	2.11	2.35	3.33	4.71	5.77	6.66	
	BJ 05	1.55	1.139	0.62	0.81	0.95	1.61	2.28	2.55	3.60	5.10	6.24	7.21	
1/2"	BJ 06	1.70	1.367	0.75	0.97	1.14	1.93	2.73	3.06	4.32	6.11	7.49	8.65	
	BJ 0616	1.70	1.404	0.77	0.99	1.17	1.99	2.81	3.14	4.44	6.28	7.69	8.88	
	BJ 077	1.83	1.755	0.96	1.24	1.47	2.48	3.51	3.92	5.55	7.85	9.61	11.1	
	OR	BJ 08	1.88	1.823	1.00	1.29	1.53	2.58	3.65	4.08	5.77	8.15	9.99	11.5
	BJ 0924	1.98	2.106	1.15	1.49	1.76	2.98	4.21	4.71	6.66	9.42	11.5	13.3	
	BJ 10	2.18	2.279	1.25	1.61	1.91	3.22	4.56	5.10	7.21	10.2	12.5	14.4	
	BJ 15	2.72	3.418	1.87	2.42	2.86	4.83	6.84	7.64	10.8	15.3	18.7	21.6	
3/8"	BJ 20	3.18	4.558	2.50	3.22	3.81	6.45	9.12	10.2	14.4	20.4	25.0	28.8	
	BJ 30	3.67	6.837	3.74	4.83	5.72	9.67	13.7	15.3	21.6	30.6	37.4	43.2	
	OR	BJ 40	3.97	9.116	4.99	6.45	7.63	12.9	18.2	20.4	28.8	40.8	49.9	57.7
1/2"	BJ 50	4.37	11.394	6.24	8.06	9.53	16.1	22.8	25.5	36.0	51.0	62.4	72.1	
	BJ 60	4.76	13.673	7.49	9.67	11.4	19.3	27.3	30.6	43.2	61.1	74.9	86.5	
	BJ 70	5.16	15.952	8.74	11.3	13.3	22.6	31.9	35.7	50.4	71.3	87.4	101	

$$\text{Flow Rate (l/min)} = K\sqrt{\text{bar}}$$

Standard Materials: Brass, 303 Stainless Steel and 316 Stainless Steel (for nozzle number BJ01 and higher).

CALL 0098 21 88543205
Call for expert advice on all flat fan nozzles